

The new cleanpoint
- a top product thanks to advanced
development technology and long years
of user experience.



Herkules cleaning centre cleanpoint

Fully automatic spray gun cleaning
both inside and out.

More cleaning pressure in the **power box**
Pneumatic **automatic opening** feature.

Easy to use thanks to its
ergonomic design.

Clear viewing window for visual
inspection.

Strong extraction for optimum exhaust.

Injection nozzle to keep the gun air
channels free.

For **solvents** and **water**.



Ergonomic design according to the
research results of the Federal German
Institute for Labour Protection and
Accident Research.



Superior cleaning performance thanks to
the new **power box**.

The cleaning system for spray guns

Automatic



The cleaning process runs automatically according to the pre-adjusted time and cleaning agent volume.

For solvents Art.No. CP-AUTO

Manual



Ergonomically designed cleaning station for manual cleaning. Can be used with either fresh or re-circulated cleaning agent.

For solvents Art.No. CP-MANU

Automatic Multifunctional



All the components required for the different cleaning tasks in one single unit.

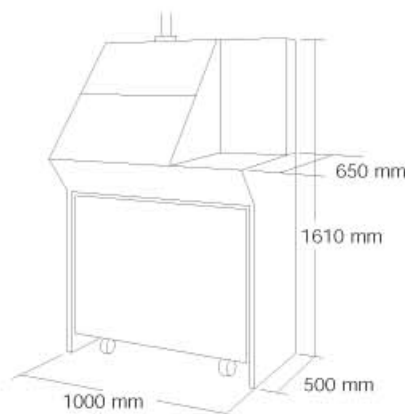
For solvents Art.No. CP-MULTI

Combination Automatic Manual



The complete solution with a fully automatic spray gun cleaning system and manual cleaning unit.

For solvents Art.No. CP-KOMBI



Trolley

All the 60 litre canisters commercially available can be handled easily using this trolley with steering rollers.

Waterbased material cleaner CP-Aqua



Cleaning station for the manual cleaning of waterbased material guns with built-in water treatment (coagulation) possibility. Art. No. CP-AQUA

CPA waterbased material unit

Drawer for converting to CP-Aqua. Water treatment possible. Art. No. CPA-AT